

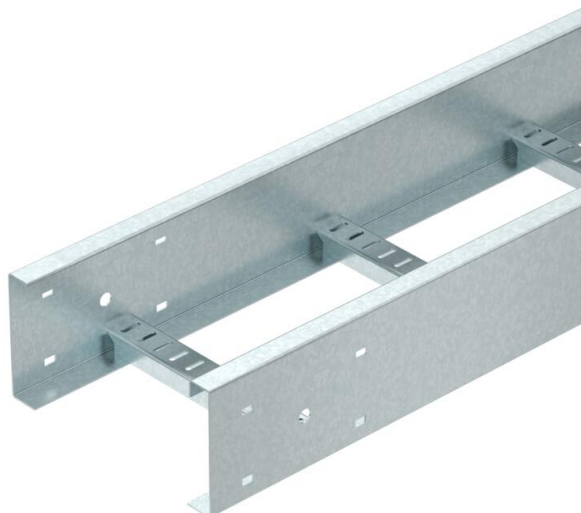
# Technical data sheet

Cable ladder SSP150 Nema 20B, 6 m

Item number: 6905303



Heavy-duty SSP150 cable ladder system Nema 20B, welded version. The side height is 150 mm with a supply length of 6,000 mm. Magnetic shield insulation without cover 10 dB, with cover 15 dB.



**St** Steel

**FT** Hot-dip galvanised

## Master data

Item number	6905303
Type	SSP150 200 HDG
Description 1	Cable ladder
Description 2	SSP150 Nema 20A
Manufacturer	O-line
Dimension	6000x200x150
Material	Steel
Surface	Hot-dip galvanised
Surface standard	DIN EN ISO 1461
Smallest sales unit	6
Unit of quantity	Metre
Weight	679 kg
Weight unit	kg/100 m

# Technical data sheet

Cable ladder SSP150 Nema 20B, 6 m

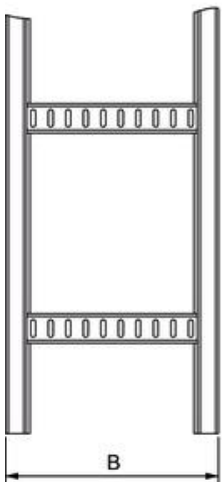
Item number: 6905303



## Dimensions



Length	6,000 mm
Width	200 mm
Height	150 mm
Dimension B	200 mm

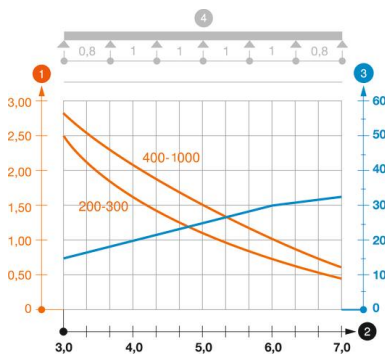


## Technical data

Rung distance	300 mm
Rail thickness	1.6 mm

## Loads

Support spacing 4.0 m	1.6 kN/m
Support spacing 5.0 m	1.1 kN/m
Support spacing 6.0 m	0.8 kN/m
Support spacing 7.0 m	0.4 kN/m



Load diagram, wide span cable ladder, type SSP150 Nema 20A

- 1 Permitted cable tray/ladder load in kN/m without man load
- 2 Support width in m
- 3 Rail bend in mm at permitted kN/m
- 4 Load scheme during testing
- Load curve with cable tray/ladder width in mm
- Strut bend curve according to support width