

# Technical data sheet

## Junction box T 100, plug-in seal

Item number: 2007468



Junction box for the connection of cables and lines indoors and in protected outdoor areas. Rectangular design with plug-in seals to the sides and knock-out entries in the bottom. Suitable for wall and ceiling mounting and on mounting panels. With the option to fasten inside and to mount via the corner domes. Cover with quick lock, sealable. Made from halogen-free and UV-resistant materials.

Junction box according to DIN EN 60670. Flame-resistant to DIN EN 60695/2/11, test temperature 650 °C. Impact resistance IK07 according to DIN EN 50102.



PP Polypropylene

### Master data

|                                    |                          |
|------------------------------------|--------------------------|
| Item number                        | 2007468                  |
| Type                               | T 100 SW                 |
| Description 1                      | Junction box             |
| Description 2                      | with entries             |
| Manufacturer                       | OBO                      |
| Dimension                          | 150x116x67               |
| Colour                             | Graphite black; RAL 9011 |
| Material                           | Polypropylene            |
| Smallest sales unit                | 1                        |
| Unit of quantity                   | Piece                    |
| Weight                             | 16.5 kg                  |
| Weight unit                        | kg/100 pc.               |
| CO2 Footprint (GWP) Cradle-to-Gate | 0,7061 kg CO2e / 1 Piece |

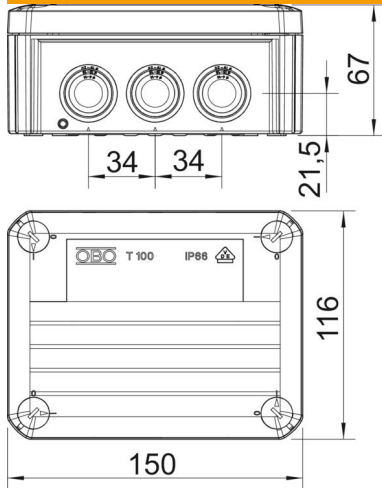
# Technical data sheet

## Junction box T 100, plug-in seal

Item number: 2007468



### Dimensions



|        |        |
|--------|--------|
| Length | 150 mm |
| Width  | 116 mm |
| Height | 67 mm  |

### Technical data

|                                   |   |
|-----------------------------------|---|
| Expandable                        | yes   |
| No. of entries                    | 10  |
| Type of entry                     | Plug-in seal  |
| Type of entry                     | Cable   |
| Type of housing penetration       | Cutable stepped membrane                                  |
| Measured insulation voltage $V_i$ | 500 V   |
| Cover                             | Not transparent   |
| Cover fastening                   | Screwed   |
| Entry from rear                   | yes   |
| Entries                           | 10 x M25  |
| Explosion-tested version          | no  |
| Flame-resistant                   | acc. to VDE 0471/DIN 695 Part 2-1, test temperature 650°C |
| Shape                             | Rectangular   |
| Maintain electrical functions     | Without   |
| For Ex zone                       | Without   |
| For Ex zone gas                   | Without   |
| For Ex zone dust                  | Without   |
| Fibre-glass reinforced            | no  |
| Halogen-free                      | yes   |
| Clear internal dimensions         | 136x102x57 mm   |
| With screening                    | no  |
| with lid                          | yes   |
| Mounting type                     | Wall/ceiling mounting                                     |
| Nominal cross-section, min.       | 10 mm <sup>2</sup>  |
| Nominal voltage                   | 500 V   |
| Sealable                          | yes   |
| Protection rating                 | IP66  |
| Protection rating IK code         | IK07.   |
| Permitted temperature range, max. | 65 °C   |
| Permitted temperature range, min. | -25 °C  |

# Technical data sheet

Junction box T 100, plug-in seal

Item number: 2007468



## Technical data

|                 |    |
|-----------------|----|
| Transparent lid | no |
| Weatherproof    | no |